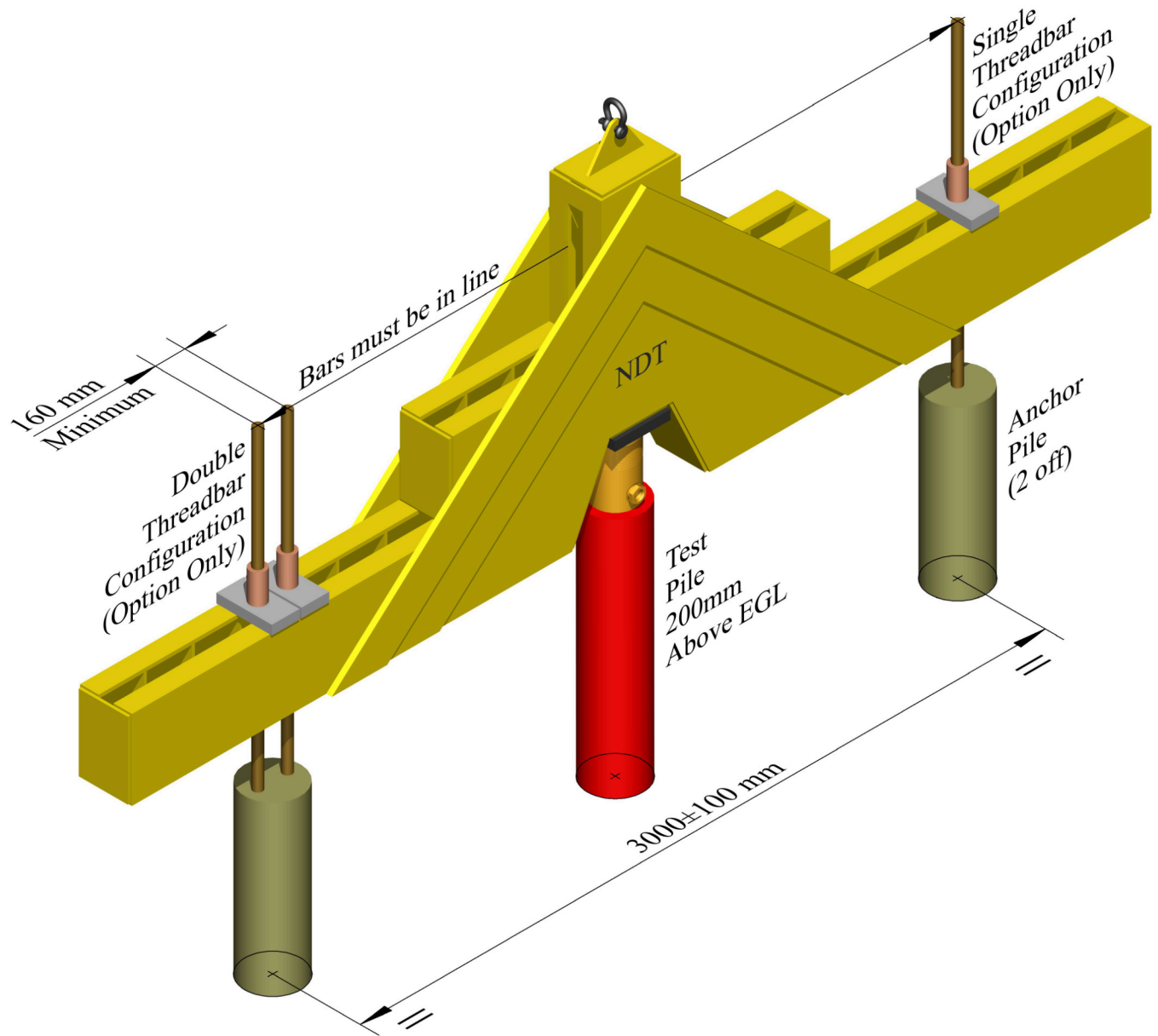


NON DESTRUCTIVE TESTING SERVICES LTD. OWN THE COPYRIGHT OF THIS DRAWING WHICH IS NOT TO BE COPIED, REPRODUCED OR DISCLOSED TO A THIRD PARTY WITHOUT WRITTEN PERMISSION.



E	09/08/23	DP	DB	RP
D	05/03/19	DP	AM	JP
C	16/01/18	DP	AM	JP
A	12/10/10	DP	AM	JP
REV	DATE	DRN	CHK	APP

Woodland Lodge, Longhedge Lane,
Orston, Nottingham NG13 9PL
Tel: 01949 851820

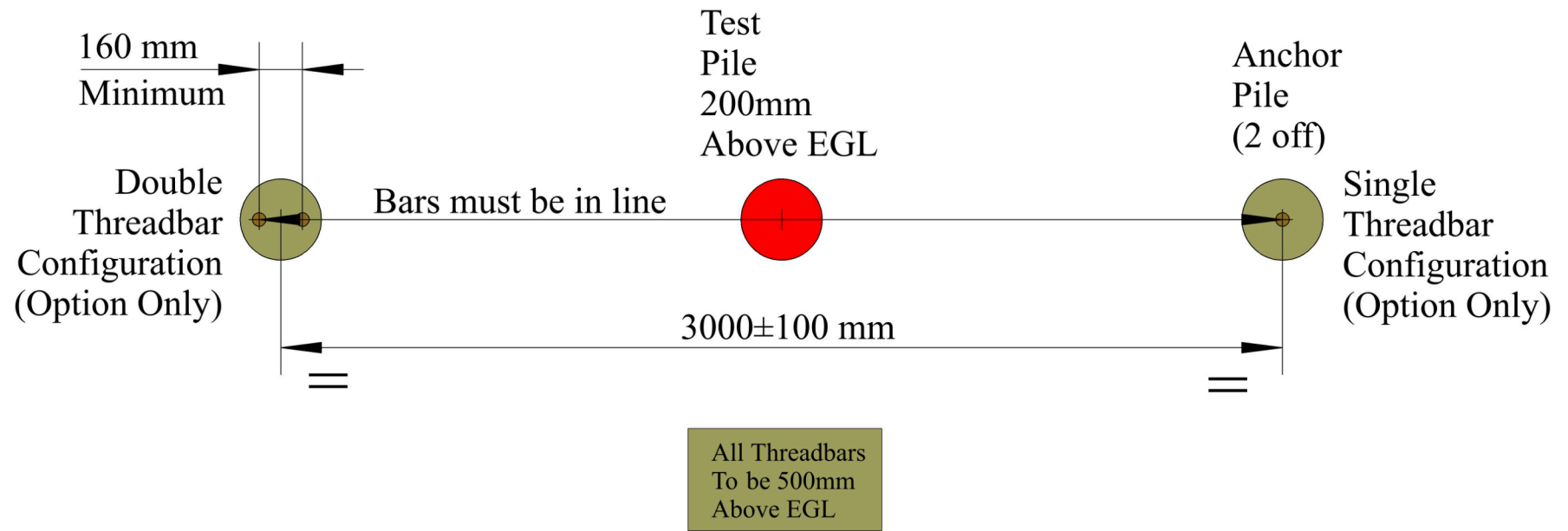
E-mail: info@ndt-piletesting.com

Non Destructive Testing Services Ltd

an RSK company

Title: NDT 2 IN LINE MAX TEST LOAD 2000kN	
Client: GENERIC	
Drg No. NDT00001	
Sheet 1 of 3	Revision E

NON DESTRUCTIVE TESTING SERVICES LTD. OWN THE COPYRIGHT OF THIS DRAWING WHICH IS NOT TO BE COPIED, REPRODUCED OR DISCLOSED TO A THIRD PARTY WITHOUT WRITTEN PERMISSION.



E	09/08/23	DP	DB	RP
D	05/03/19	DP	AM	JP
C	16/01/18	DP	AM	JP
A	12/10/10	DP	AM	JP
REV	DATE	DRN	CHK	APP

Woodland Lodge, Longhedge Lane,
Orston, Nottingham NG13 9PL
Tel: 01949 851820

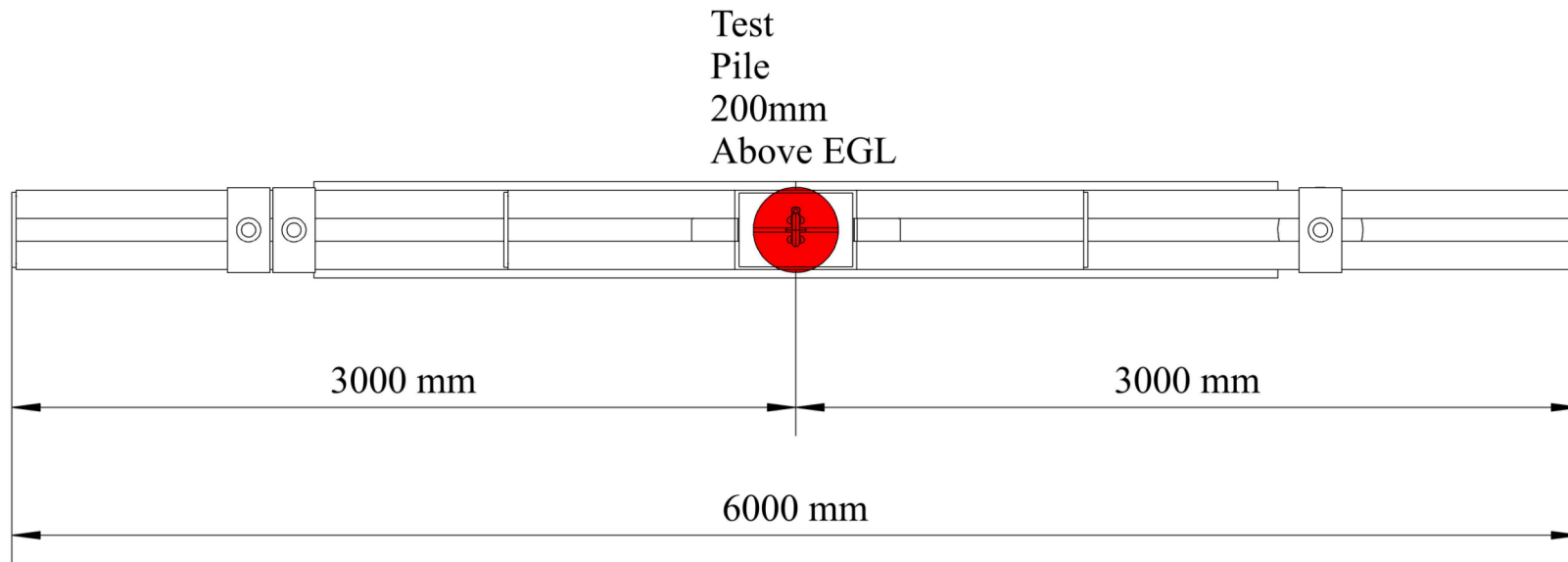
E-mail: info@ndt-piletesting.com

Non Destructive Testing Services Ltd

an RSK company

Title: NDT 2 IN LINE MAX TEST LOAD 2000kN	
Client: GENERIC	
Drg No. NDT00001	
Sheet 2 of 3	Revision E

NON DESTRUCTIVE TESTING SERVICES LTD. OWN THE COPYRIGHT OF THIS DRAWING WHICH IS NOT TO BE COPIED, REPRODUCED OR DISCLOSED TO A THIRD PARTY WITHOUT WRITTEN PERMISSION.



E	09/08/23	DP	DB	RP
D	05/03/19	DP	AM	JP
C	16/01/18	DP	AM	JP
A	12/10/10	DP	AM	JP
REV	DATE	DRN	CHK	APP

Woodland Lodge, Longhedge Lane,
Orston, Nottingham NG13 9PL
Tel: 01949 851820

E-mail: info@ndt-piletesting.com

Non Destructive Testing Services Ltd



Title: NDT 2 IN LINE
MAX TEST LOAD 2000kN

Client: GENERIC

Drg No. NDT00001

Sheet 3 of 3

Revision E